

### Features

- Two-piece design.
- Compact elongated bowl offers added comfort while occupying the same space as a round-front bowl.
- Top-mounted two-button flush offers a choice of 1.0 or 1.6 gallons per flush (gpf).
- Skirted trapway simplifies cleaning.
- Combination consists of the K-4322 bowl and the K-4419 tank.

### Technology

- Dual-flush technology allows you to choose between a full or partial flush.

### Installation

- Standard 12" (305 mm) rough-in.
- Two-bolt installation.
- Seat and supply line sold separately.

### Water Conservation & Rebates

- Eligible for consumer rebates in some municipalities.
- This product can help a building earn Water Efficiency points in LEED® Green Building Rating System.

### Recommended Products/Accessories

K-4636 Cachet® Quiet-Close™ Elongated Toilet Seat  
K-5588 Purefresh® Elongated Toilet Seat  
K-23726 Drain treatment

### Included Components

Product consists of:

K-4322 Toilet Bowl  
K-4419 Toilet tank, dual-flush

Additional Components:

Dual flush actuator buttons  
Installation kit  
Installation template  
Supply line  
Tank accessory pack  
Tank cover



### Codes/Standards





ASME A112.19.2/CSA B45.1  
ASME A112.19.14  
DOE - Energy Policy Act 1992  
EPA WaterSense®  
California Energy Commission (CEC)

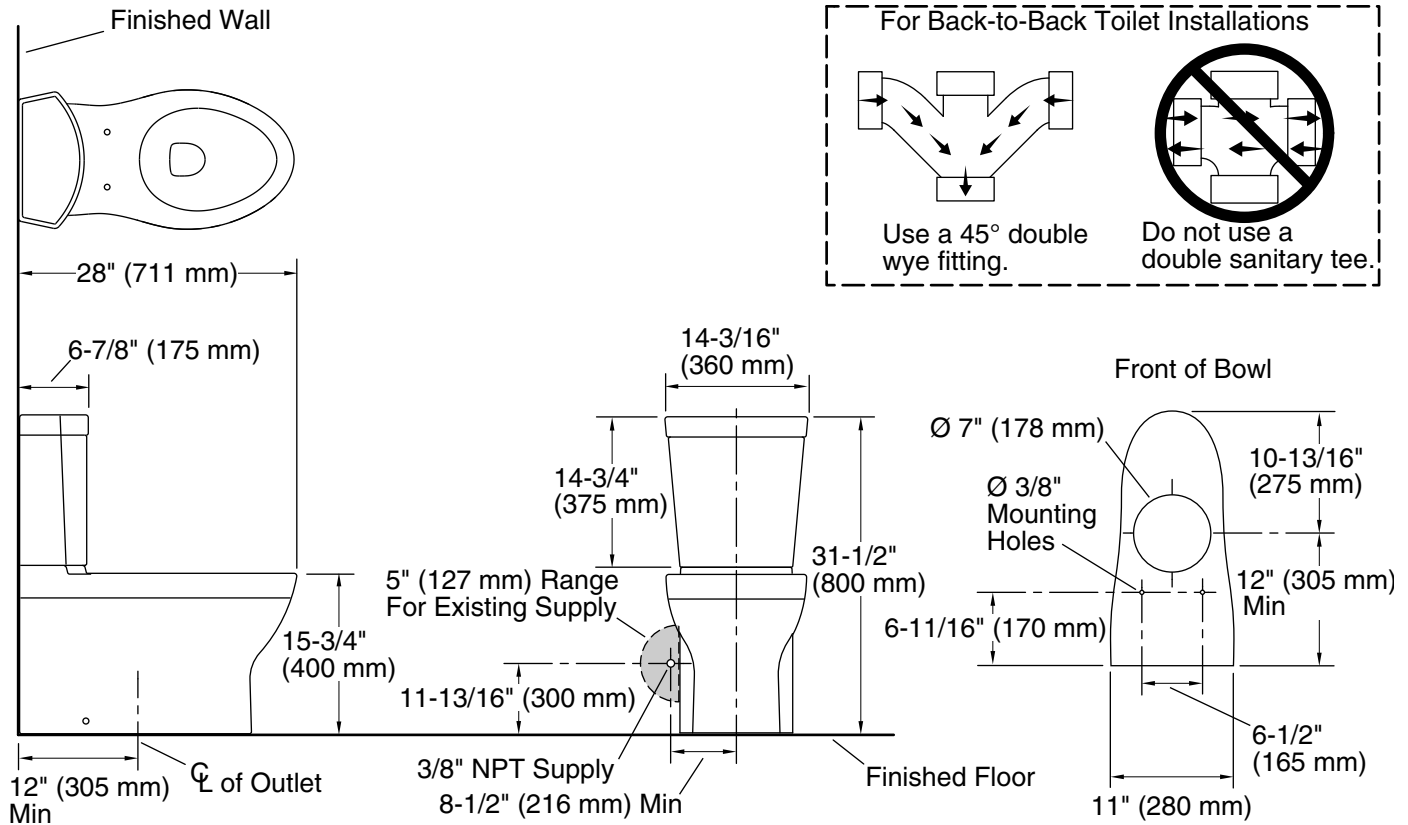
### KOHLER® One-Year Limited Warranty

See website for detailed warranty information.

### Available Colors/Finishes

*Color tiles intended for reference only.*

Color	Code	Description
	0	White
	96	Biscuit
	47	Almond
	7	Black Black™



### Technical Information

All product dimensions are nominal.

Toilet type:	Two-piece, Floor-mount
Waste Outlet:	Floor
Bowl shape:	Elongated
Trap passageway:	2" (51 mm)
Water Consumption	
Full:	1.6 gpf (6 lpf)
Reduced:	1 gpf (3.8 lpf)
Water surface size:	4-1/2" x 5-3/4" (114 mm x 146 mm)
Rim to water surface:	8-1/2" (216 mm)
Rough-in:	12" (305 mm)
Seat-mounting holes:	5-1/2" (140 mm)

### Notes

Install this product according to the installation instructions.

**IMPORTANT!** The rough-in must be 12" (305 mm) or more from the base of the wall or baseboard. The base of the toilet fits tightly against the wall or baseboard. The toilet will not fit correctly if there is less than 12" (305 mm) of clear space between the base of the wall or baseboard and the centerline of the outlet. Install or relocate the supply and outlet as necessary to conform to rough-in dimensions.

**NOTE:** If a baseboard causes the rough-in to be less than 12" (305 mm), it must be cut or removed to allow space for the toilet.

If this toilet is installed in new construction, install a new supply stop following the dimensions in the diagram.

In installations with the supply stop installed, the existing supply stop may need to be relocated if it is less than 8-1/2" (216 mm) from the centerline of the toilet. Dry fit the toilet to confirm if the supply stop needs to be relocated.